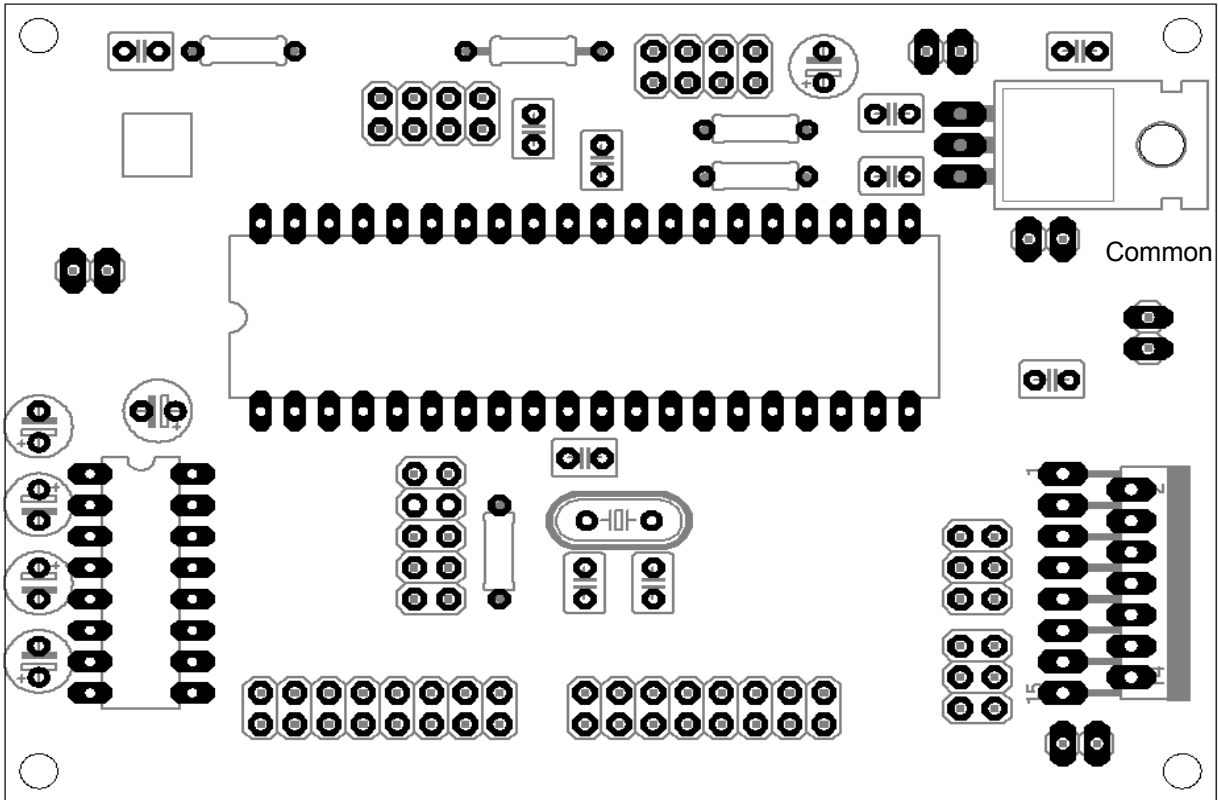


VCC GND

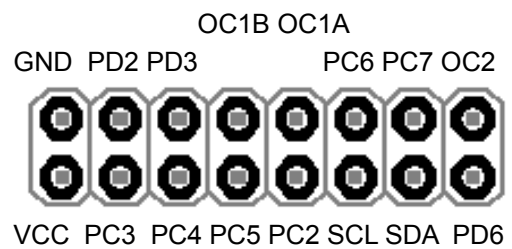
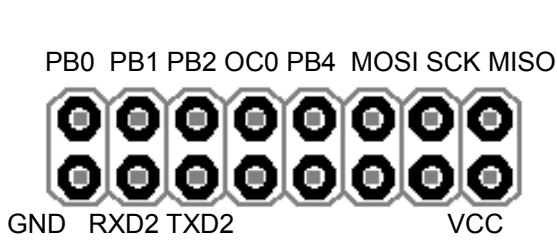
GND POWER

Enable AREF



Motor 1

Motor 2



RXDOUT TXDOUT2
TXDOUT
RXD2OUT

Motor config

